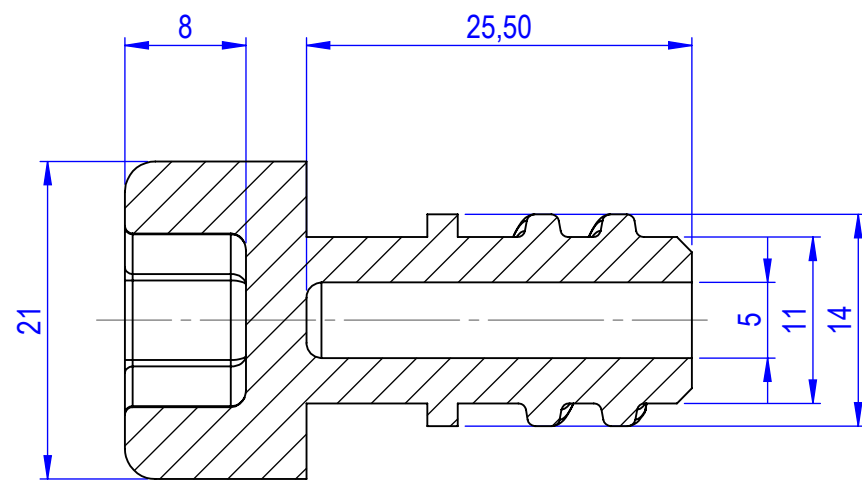
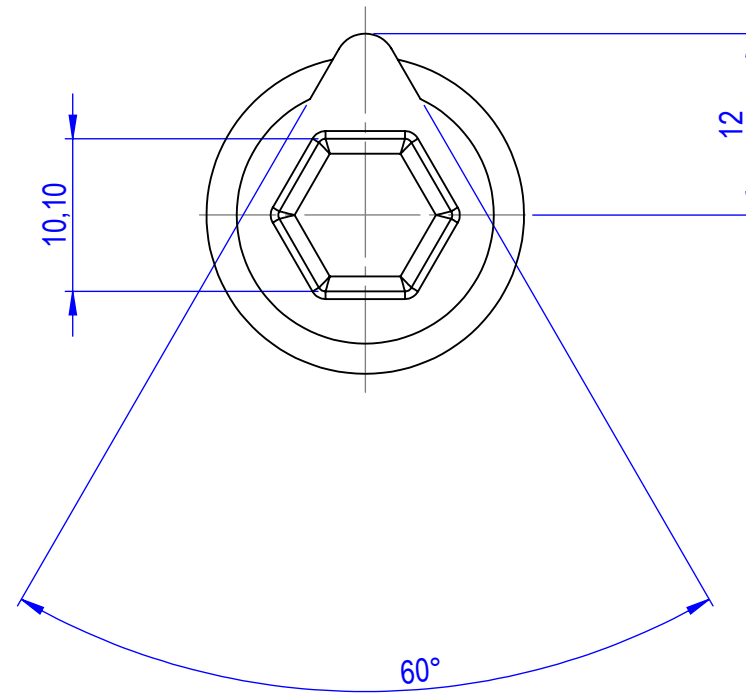
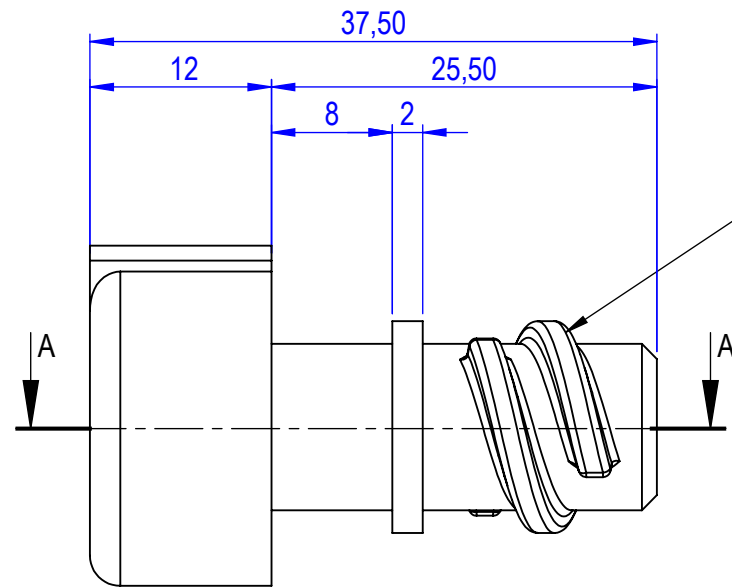


Gjenge fremstilles etter CAD-modell
Stigning 10



SECTION A-A

UNLESS OTHERWISE SPECIFIED: DIMENSIONS ARE IN MILLIMETERS SURFACE FINISH: TOLERANCES: LINEAR: ANGULAR:				FINISH:		DEBUR AND BREAK SHARP EDGES		DO NOT SCALE DRAWING		REVISION	
								Låsebolt Mezonic beholder			
DRAWN T. Kjølstad				SIGNATURE		DATE		DWG NO.		Låsebolt 170415	
CHK'D								SCALE:2:1		SHEET 1 OF 1	
APPV'D								WEIGHT:		A3	
MFG											
Q.A											