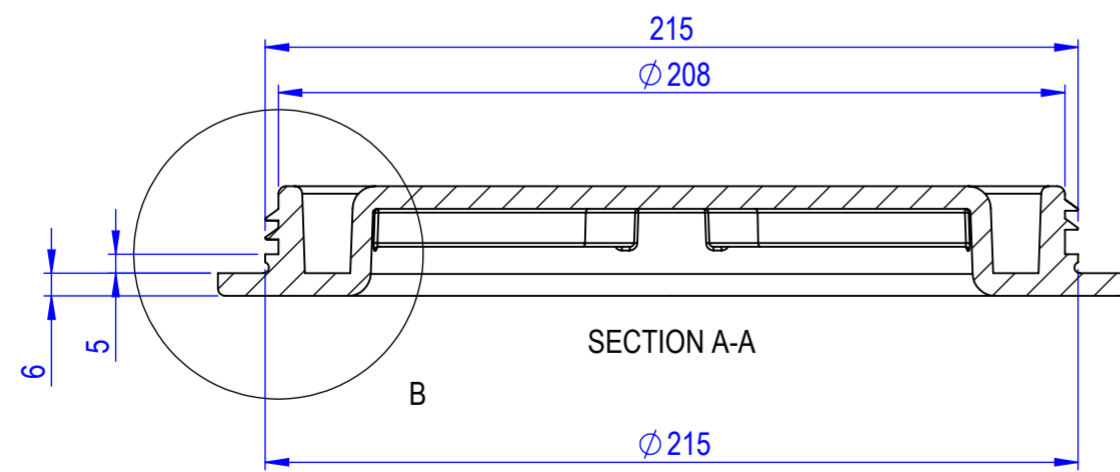



DETAIL B
SCALE 1 : 1



UNLESS OTHERWISE SPECIFIED: DIMENSIONS ARE IN MILLIMETERS		FINISH:		DEBUR AND BREAK SHARP EDGES		DO NOT SCALE DRAWING		REVISION	
DRAWN: Tore Kjelstad TKj		SIGNATURE		DATE		TITLE:		 Innerlokk Mezonic beholder	
CHK'D:						DWG NO.		A2	
APP'VD:						MATERIAL:		NP inner lid	
MFG:						WEIGHT: 10		SCALE: 1:2	
Q.A:						SHEET 1 OF 1		12	